

INSTALLATION INSTRUCTIONS

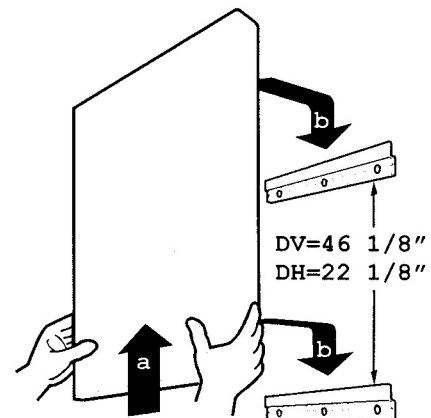
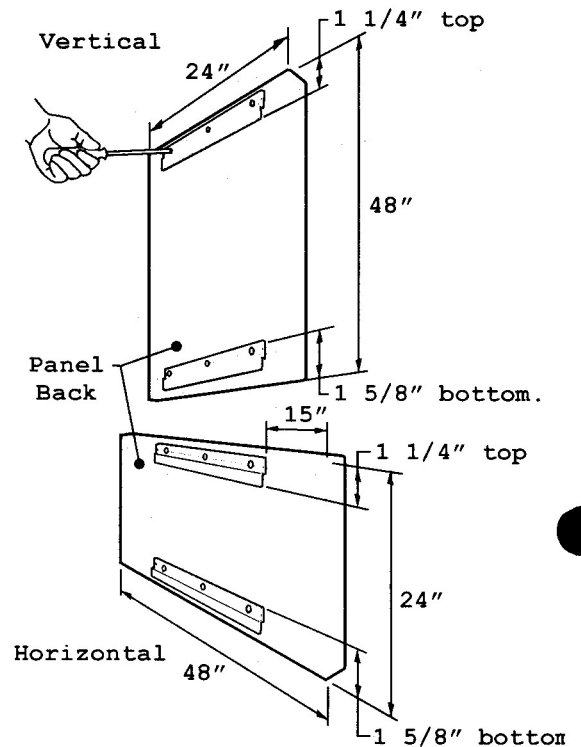
EchoSorb™ Acoustical Panels are supplied with four (4) 18" long "Z" brackets, not installed.

1. Determine desired location for mounting your EchoSorb™ acoustical panel. (Panel may be mounted in a horizontal or vertical position).
2. Install one bracket at the top and another bracket at the bottom of the back of the panel as illustrated (24" X 48" panel shown). Use the No.6 X 1" sheet metal screws provided. Shim as required.
3. Install one bracket on the wall for the top of the panel and another bracket for the bottom of the panel, as illustrated. Shim as required.
4. (a) Lift panel into position over the wall-mounted brackets and (b) lower the panel to engage top and bottom brackets. The installation is clean and neat with no exposed fasteners.

Panels may also be installed using VELCRO® attachments depending on wall treatment.

Panels may also be suspended from ceiling/roof structure for use as hanging baffles. Two (2) panels may be mounted to each other, back to back using "Z" brackets.

Panels may be easily removed and stored when necessary. Panels should be placed face to face or back to back. Always store on edge. DO NOT LAY FLAT.



DV=Distance for Vertical Panels
DH=Distance for Horizontal Panels

Panelfold®

Manufacturers of Acoustical Panels Folding Doors Operable Walls Relocatable Walls

P.O. Box 680130 Miami, Florida 33168 PHONE: 305/688-3501 FAX: 305/688-0185

E-MAIL: sales@panelfold.com INTERNET: www.panelfold.com